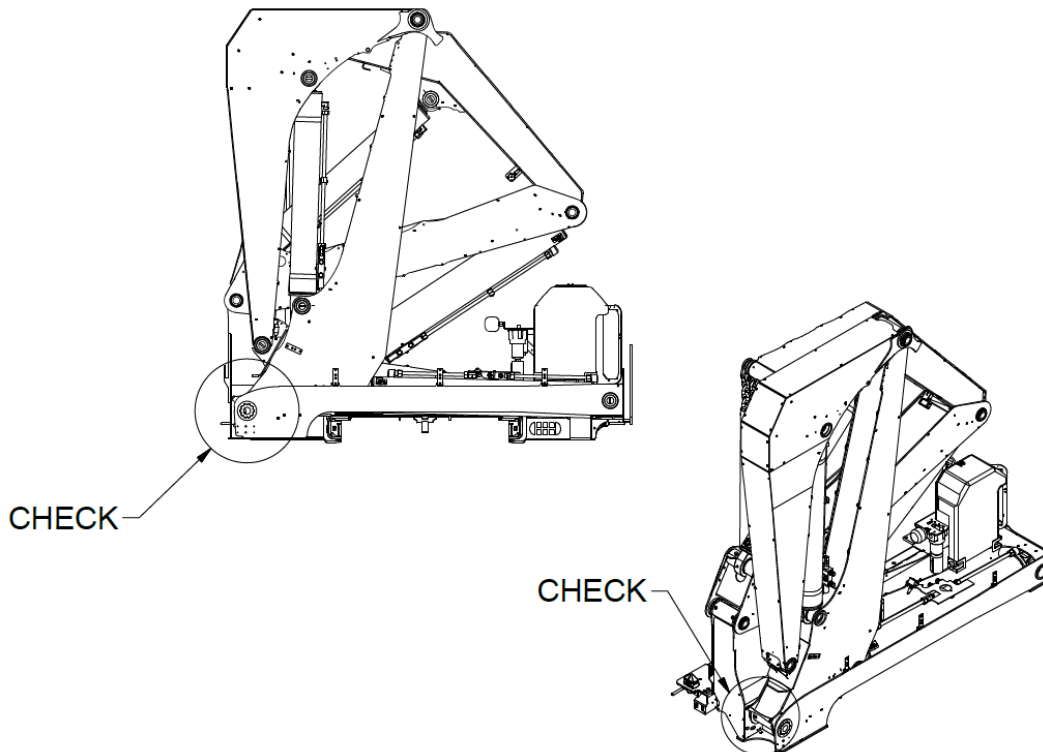


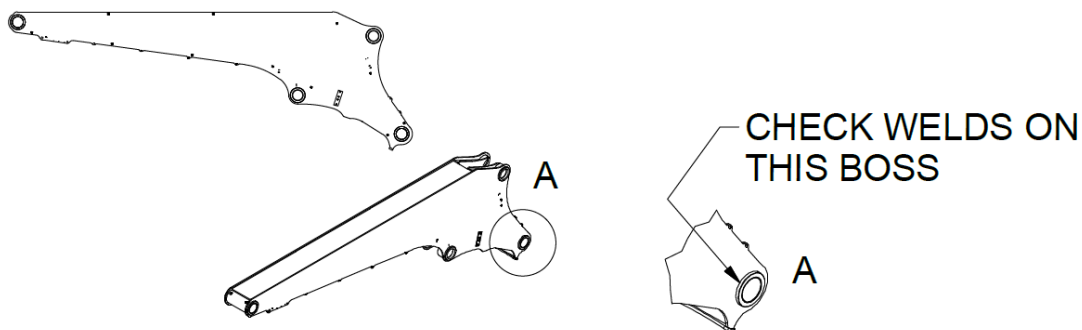
Inspection of stabilizer 110

Hammar always put safety first and it has come to our attention of a potential hazard at area A.

We ask you to inspect the weld for cracks on the boss on the main stabilizer that attaches to the crane base.



Pic 1 Show 110 crane



Pic 2 show middle stabilizer isolated and enlarged view of actual area.

Contact your closest Hammar Factory or Hammar Service Agent if you need more information, advice or assist how to proceed with inspection or repair.

Contact details at: www.hammarlift.com

Sweden, 2021-05-21